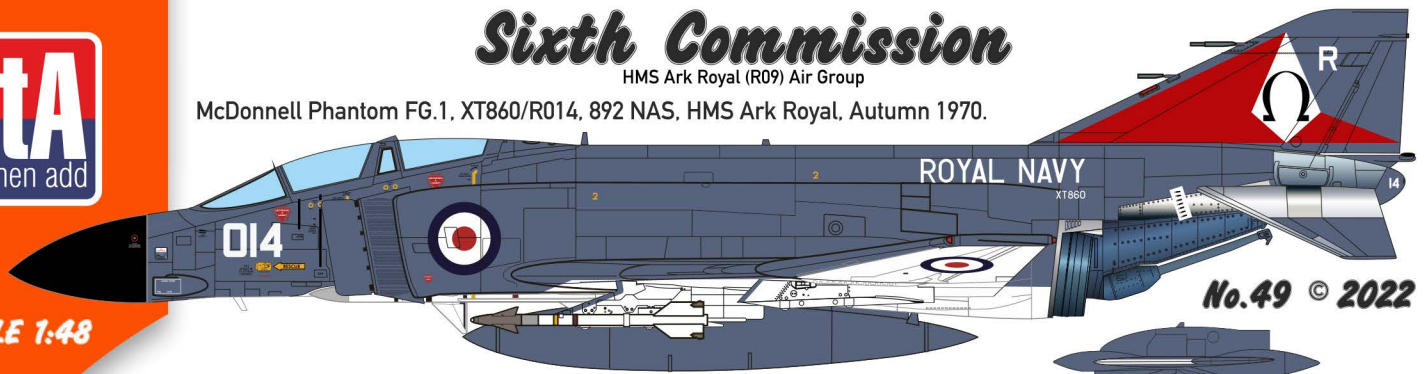




Sixth Commission

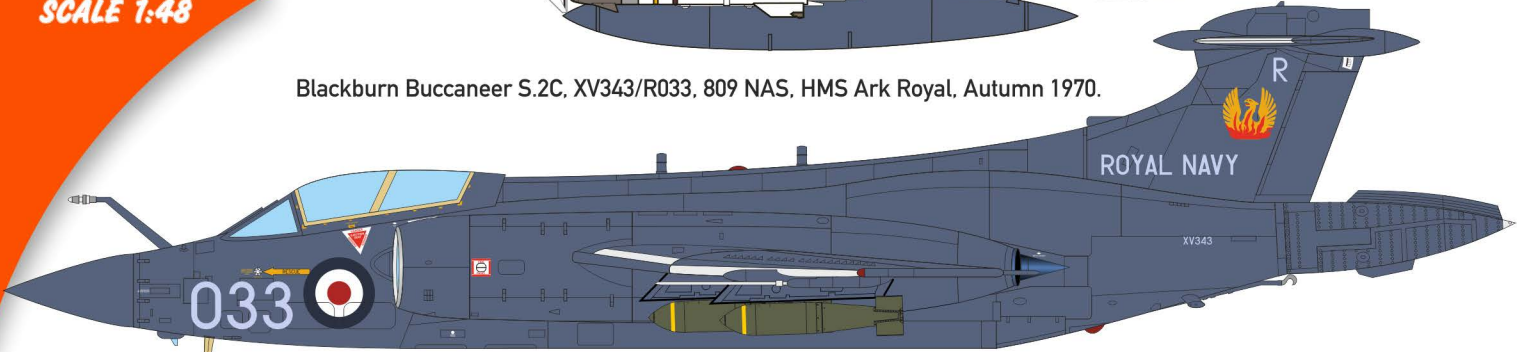
HMS Ark Royal (R09) Air Group

McDonnell Phantom FG.1, XT860/R014, 892 NAS, HMS Ark Royal, Autumn 1970.



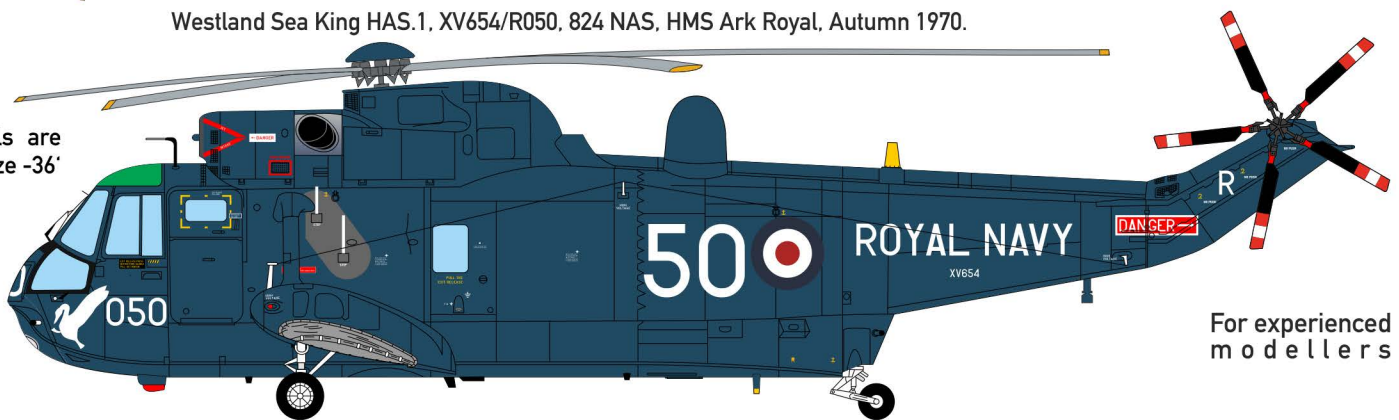
SCALE 1:48

Blackburn Buccaneer S.2C, XV343/R033, 809 NAS, HMS Ark Royal, Autumn 1970.



Westland Sea King HAS.1, XV654/R050, 824 NAS, HMS Ark Royal, Autumn 1970.

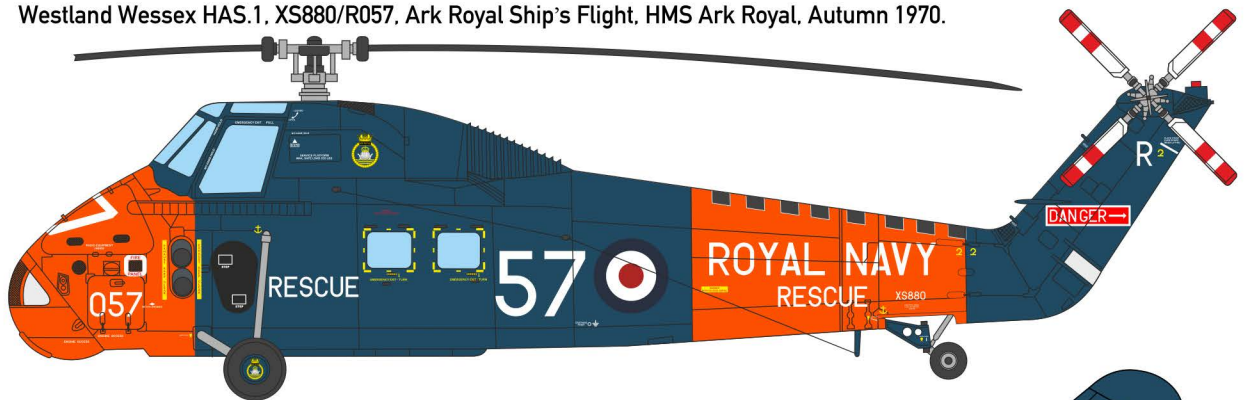
All Roundels are the same size -36'



For experienced modellers



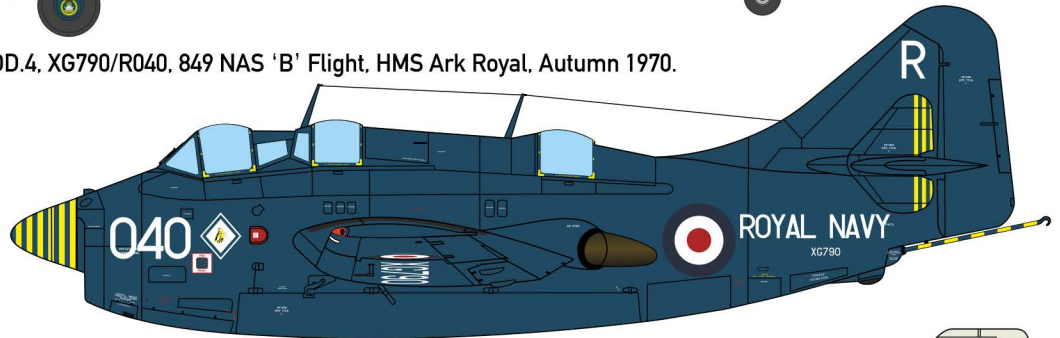
Westland Wessex HAS.1, XS880/R057, Ark Royal Ship's Flight, HMS Ark Royal, Autumn 1970.



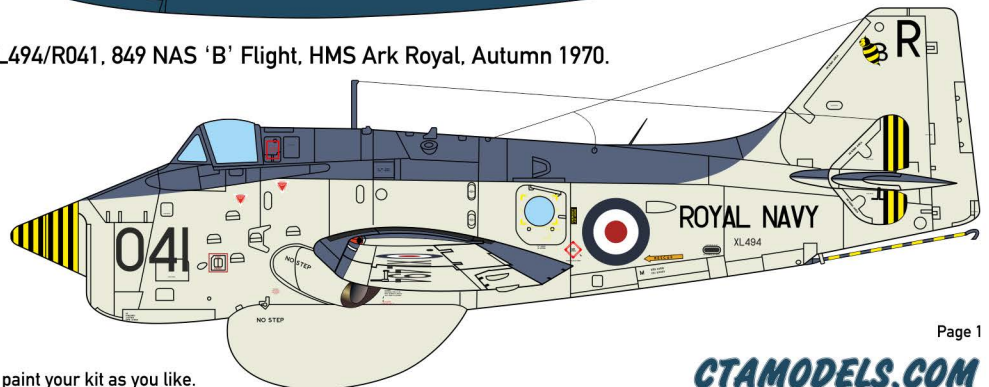
BS 381 Color chart

Fluorescent Day-Glo Blaze	640
White	633
	210

Fairey Gannet COD.4, XG790/R040, 849 NAS 'B' Flight, HMS Ark Royal, Autumn 1970.



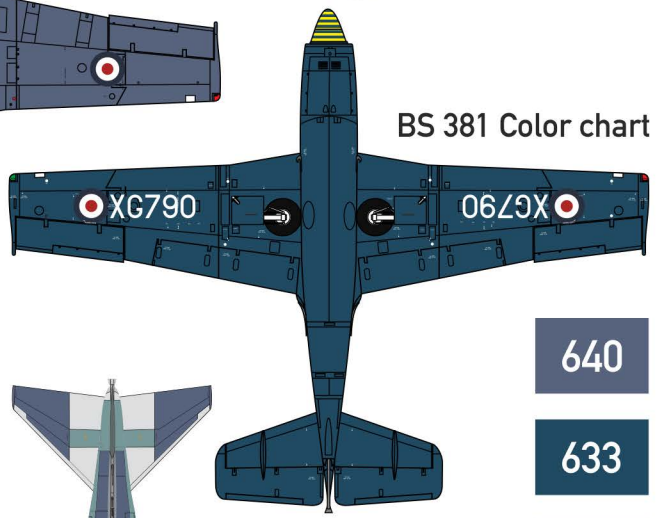
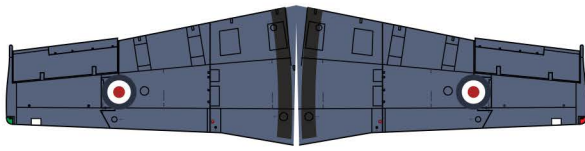
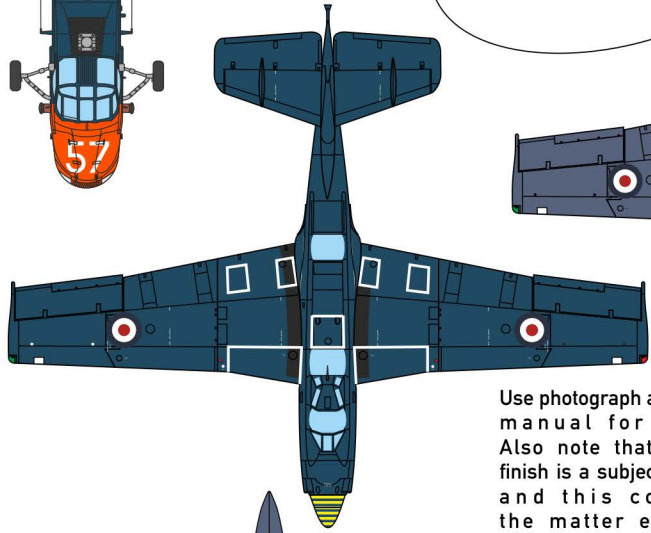
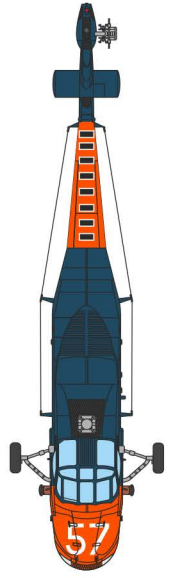
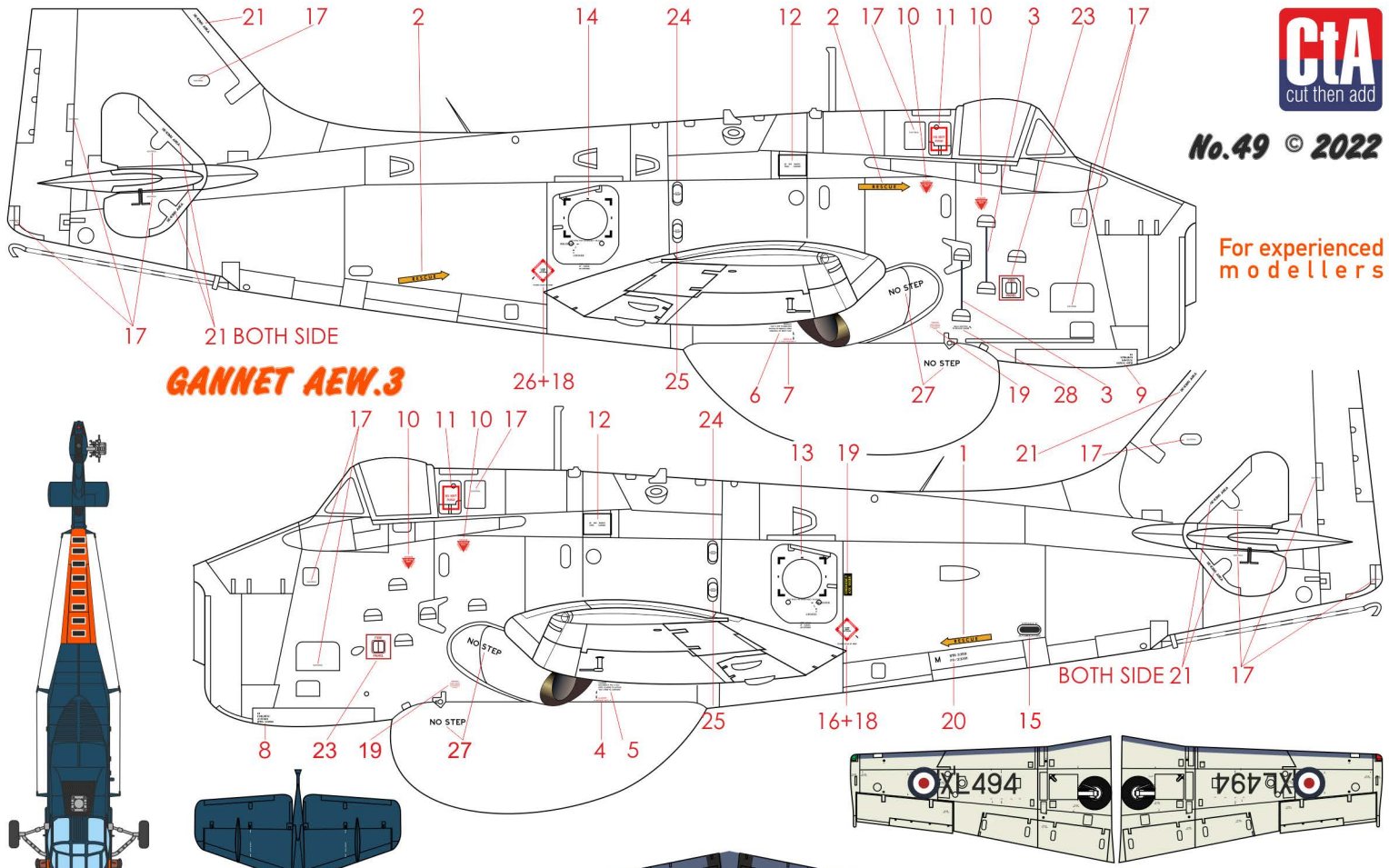
Fairey Gannet AEW.3, XL494/R041, 849 NAS 'B' Flight, HMS Ark Royal, Autumn 1970.



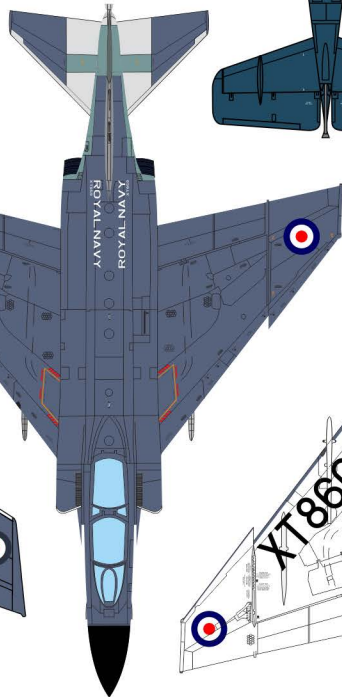
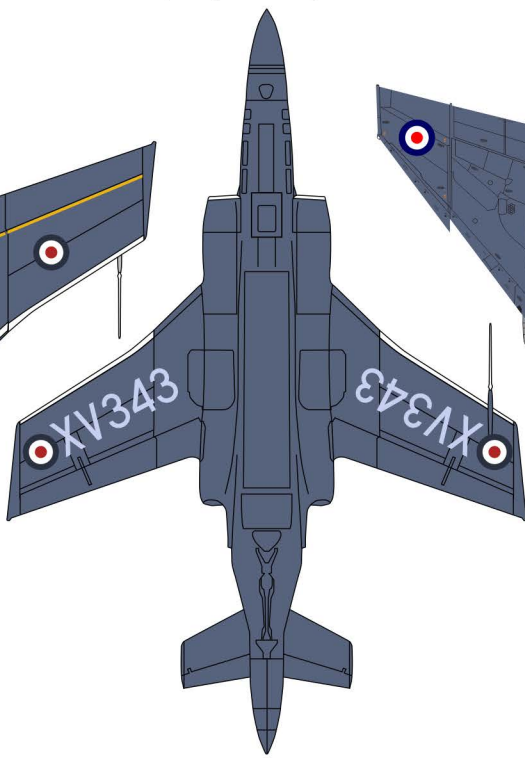
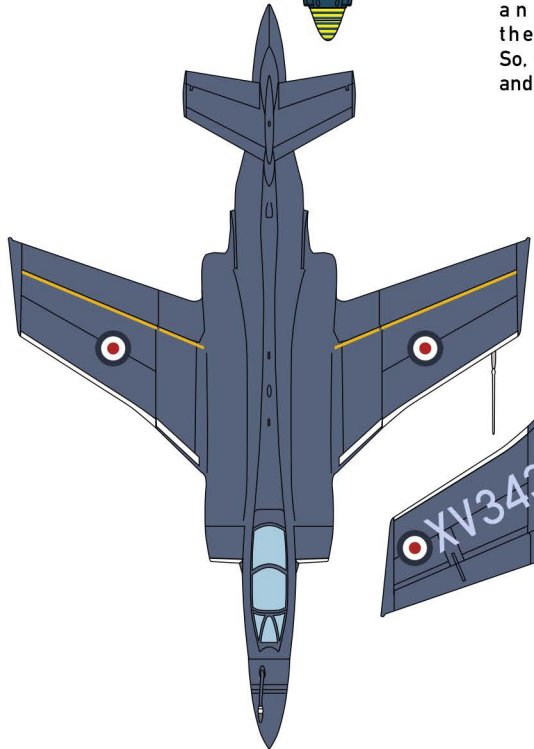
Use photograph and/or your kit's manual for reference. Also note that real aircraft finish is a subject of weathering and this complicated the matter even further. So, take a look at the photos - and paint your kit as you like.

No.49 © 2022
SCALE 1:48

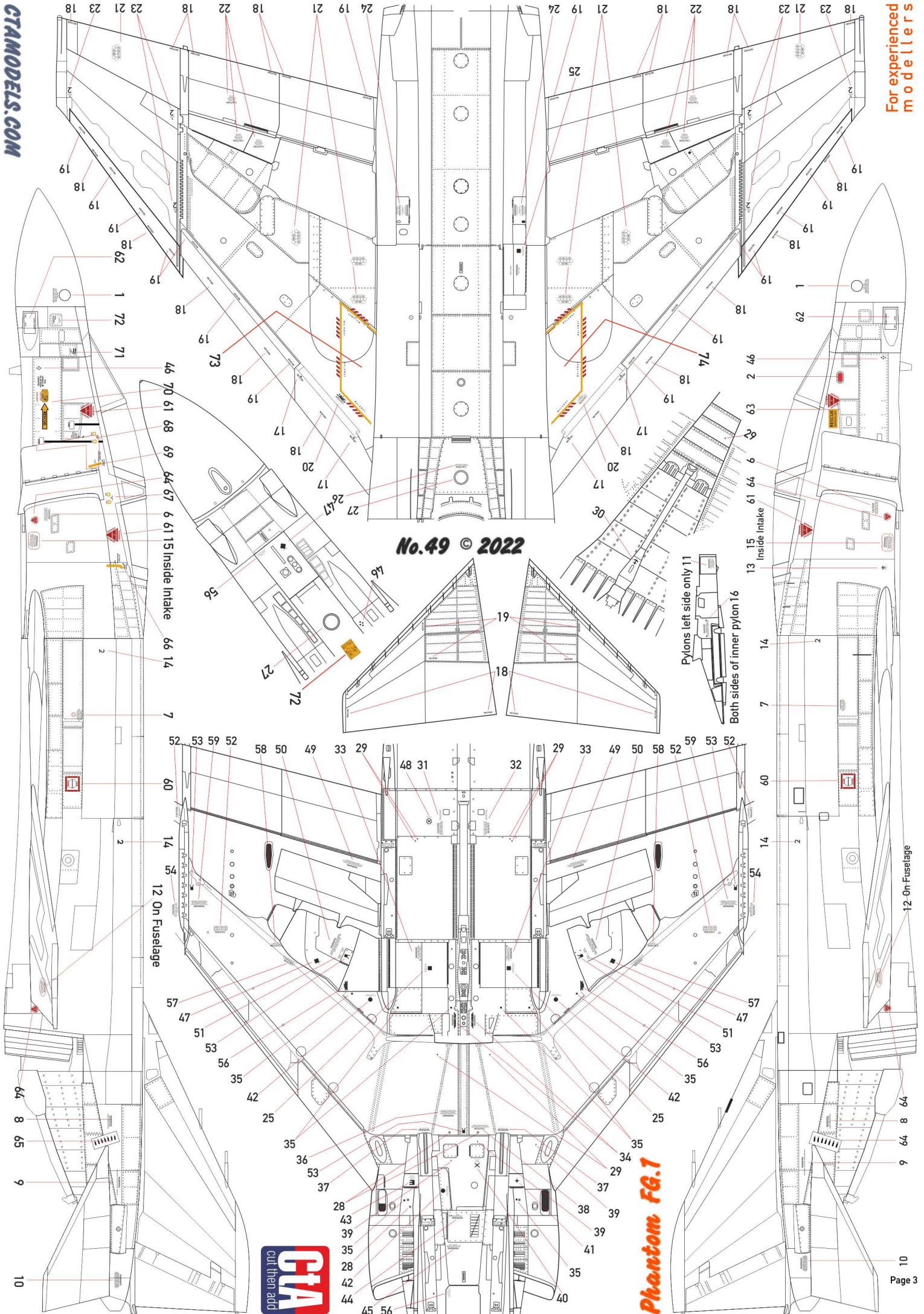
For experienced modellers



Use photograph and/or your kit's manual for reference. Also note that real aircraft finish is a subject of weathering and this complicated the matter even further. So, take a look at the photos - and paint your kit as you like.



- 640
- 633
- 210
- Fluorescent Day-Glo Blaze
- White

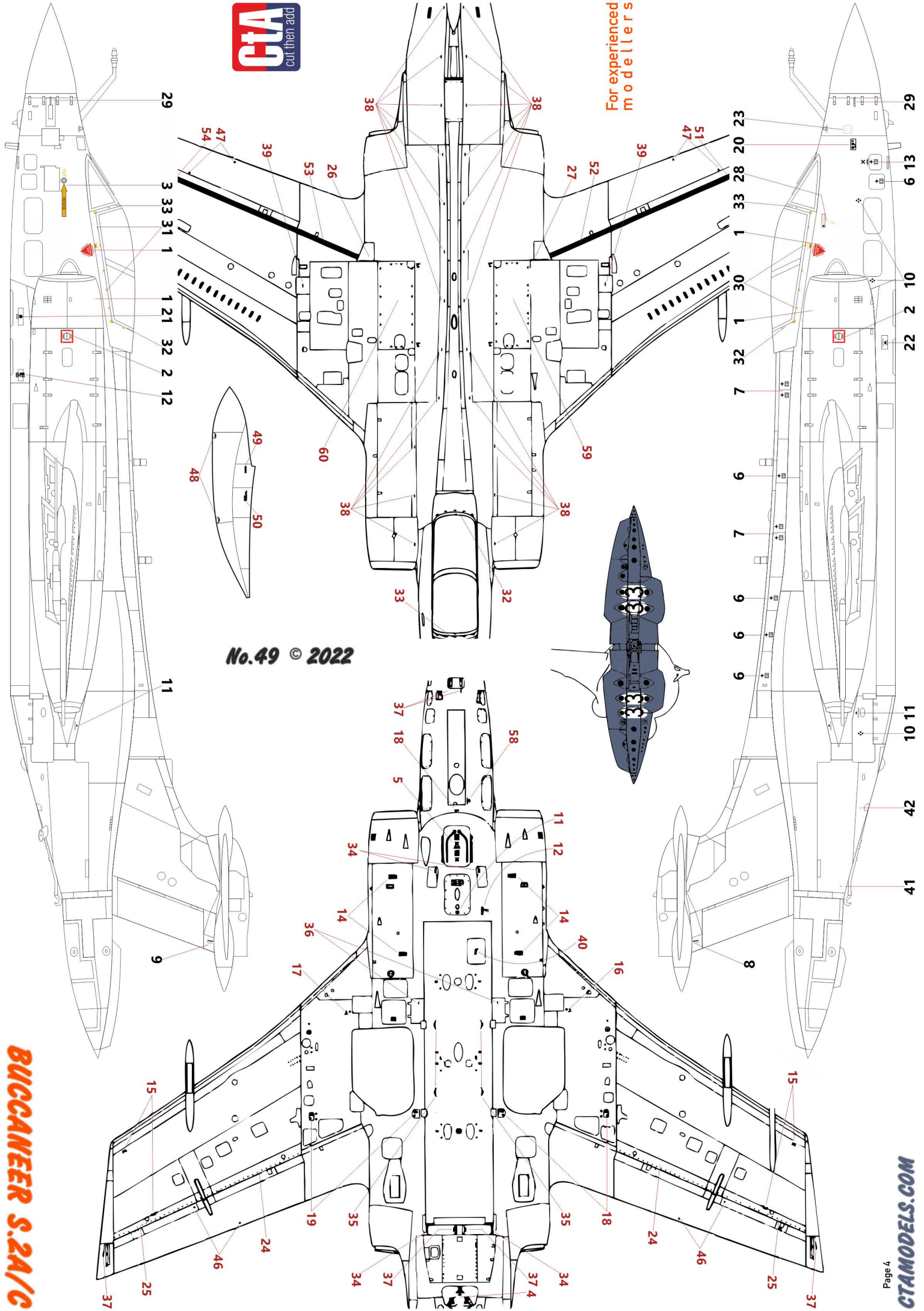


No.49 © 2022

Phantom FG.7

cut them add
CTA

12-On Fuselage

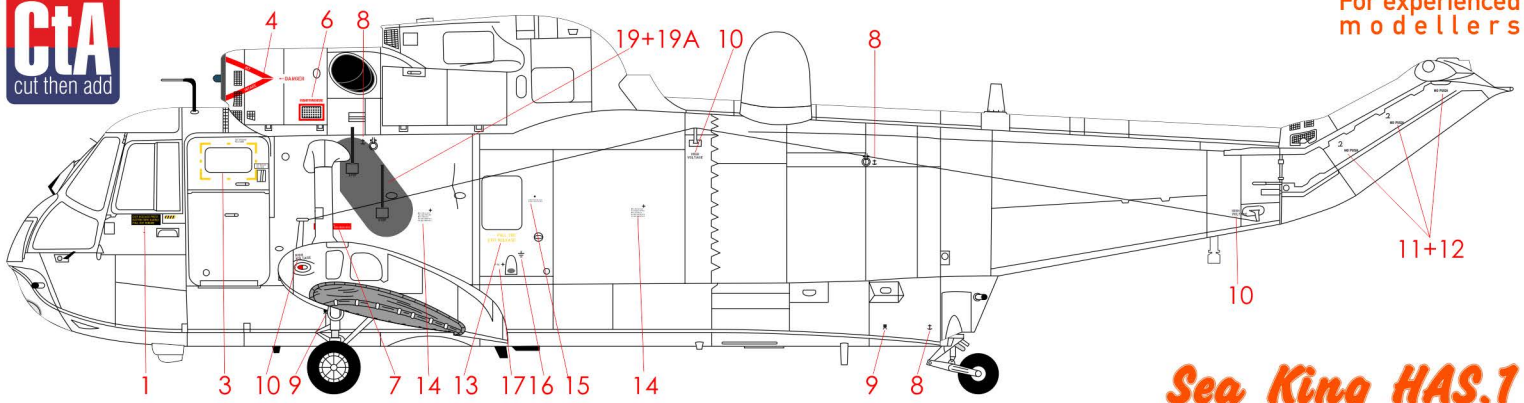


For experienced modelers

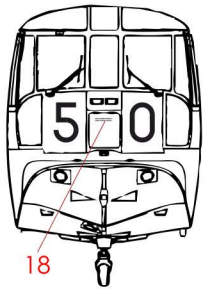
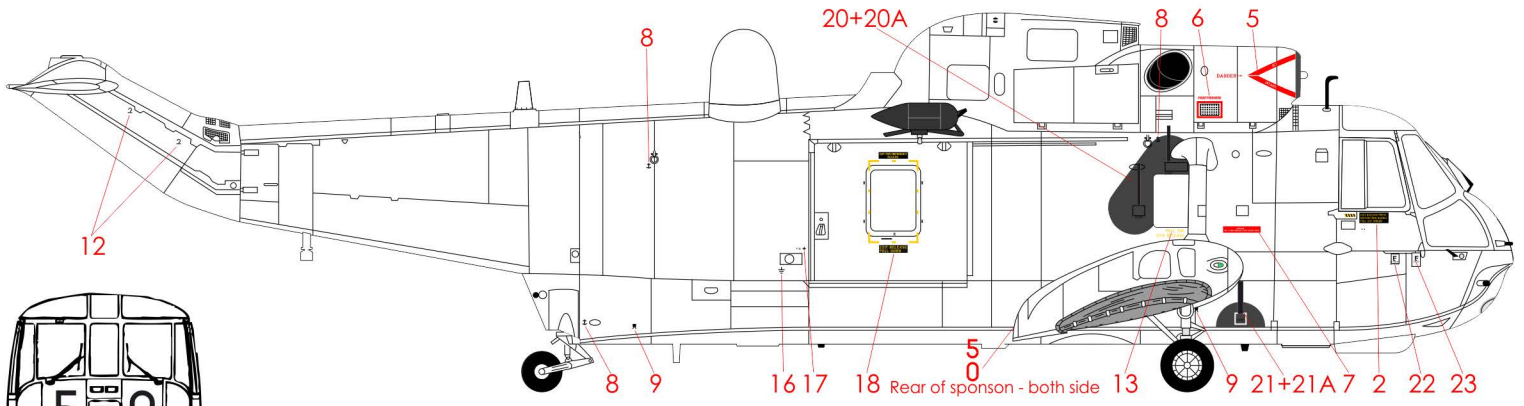


No.49 © 2022

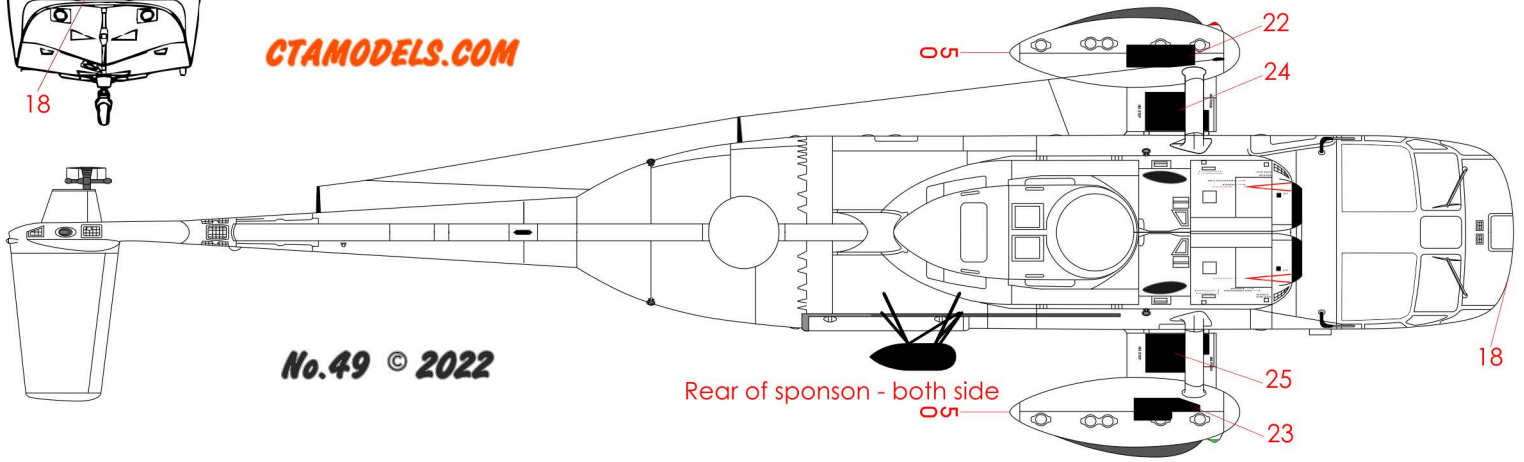
BUCCANEER S.2A/C



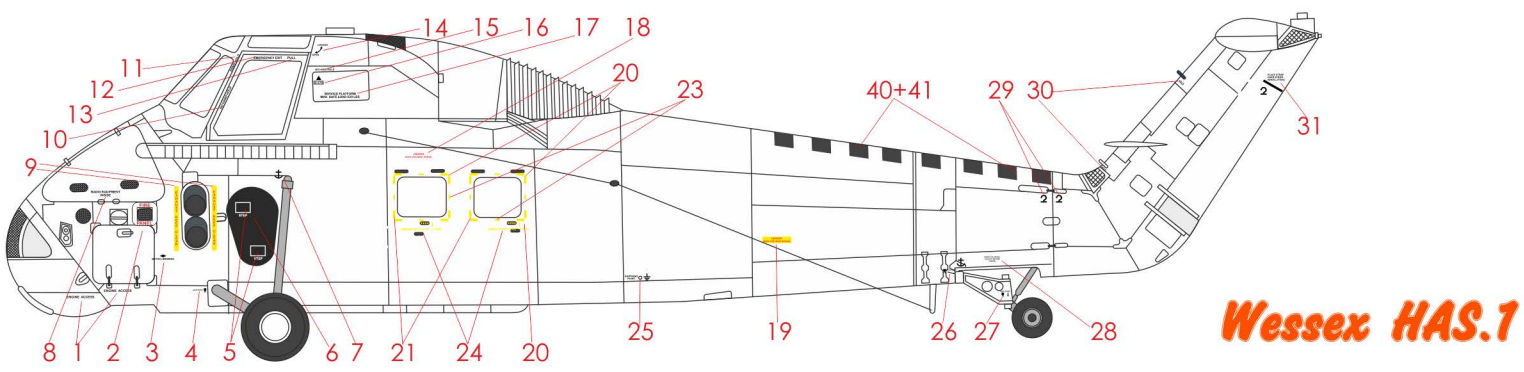
Sea King HAS.1



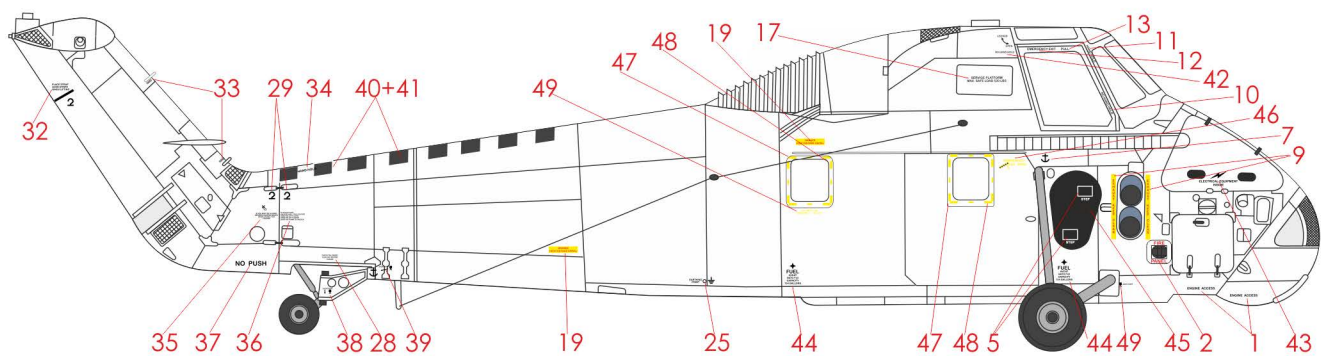
CTAMODELS.COM

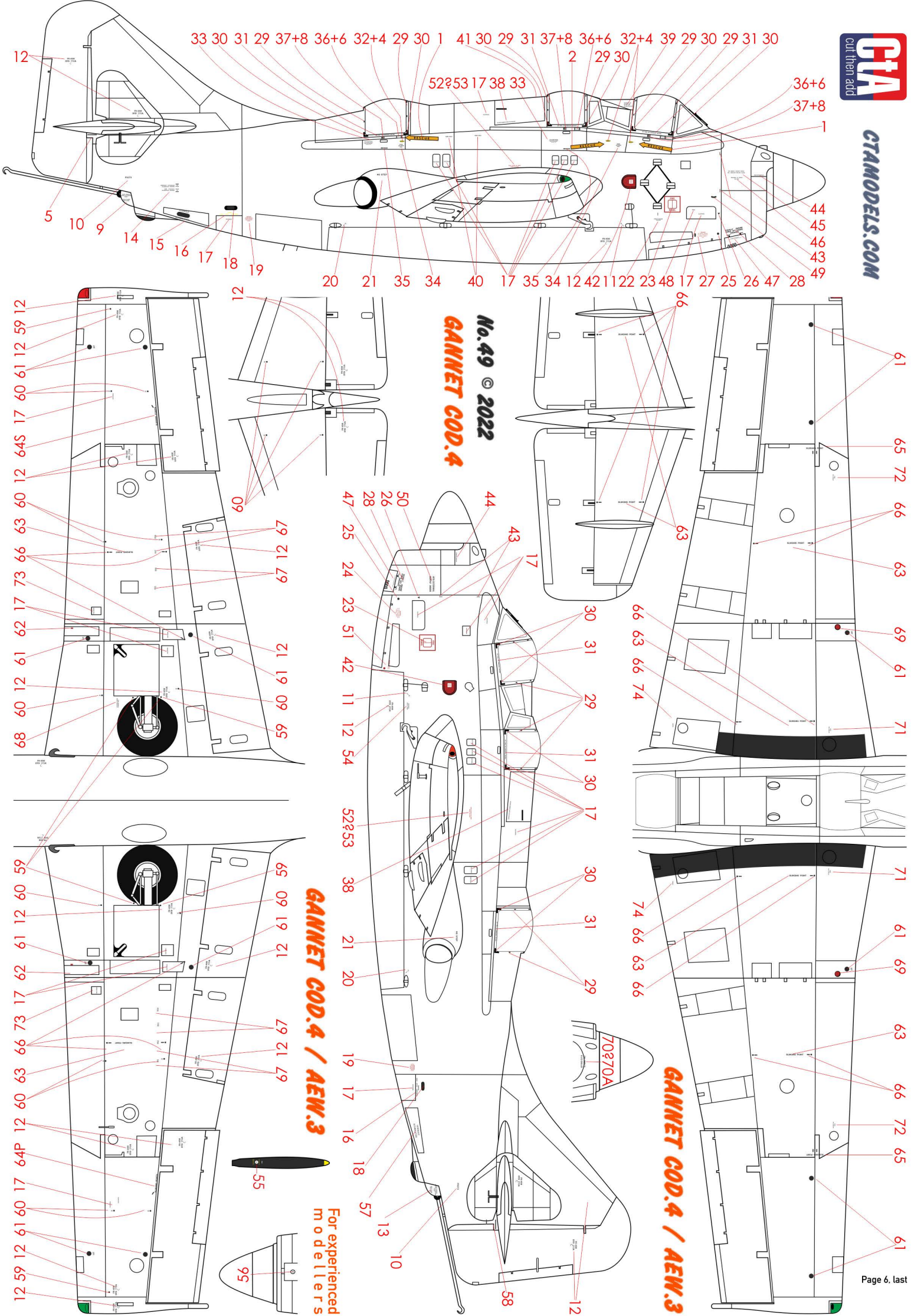


No.49 © 2022



Wessex HAS.1





33 30 31 29 37+8 36+6 32+4 29 30 1 41 30 29 31 37+8 36+6 32+4 39 29 30 29 31 30

52&53 17 38 33

2 29 30

36+6

37+8

1

44

45

46

43

49

No. 49 © 2022
GANNET COD.4

GANNET COD.4 / AEW.3

GANNET COD.4 / AEW.3

For experienced modellers