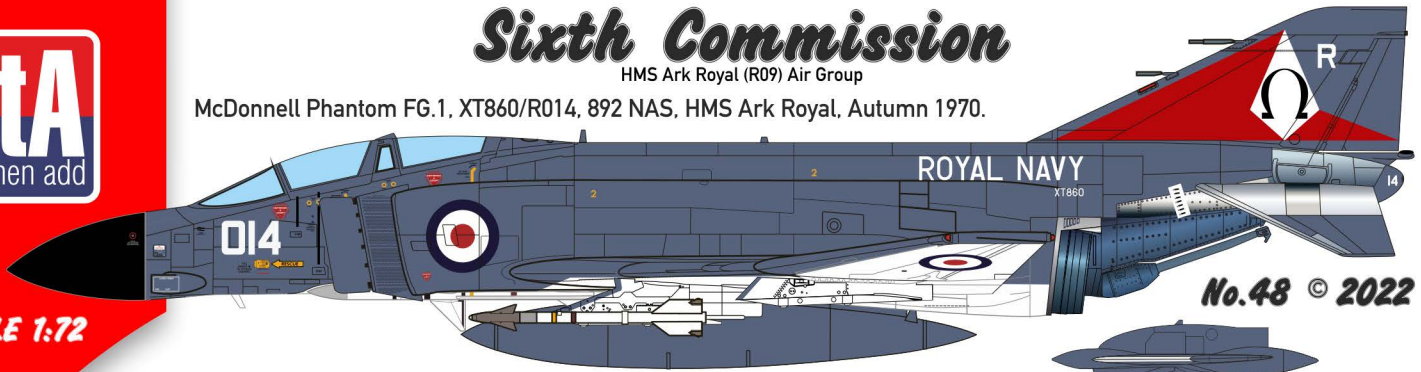




Sixth Commission

HMS Ark Royal (R09) Air Group

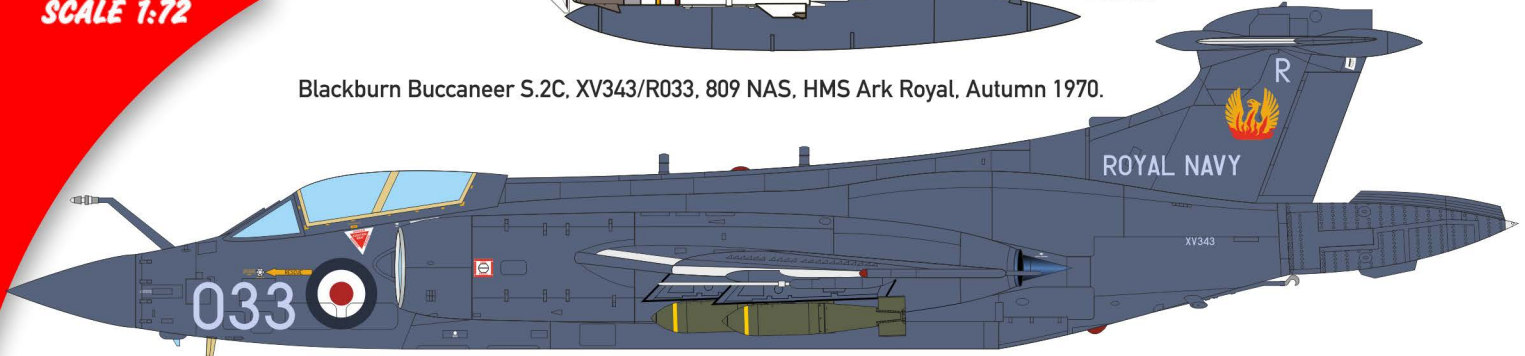
McDonnell Phantom FG.1, XT860/R014, 892 NAS, HMS Ark Royal, Autumn 1970.



No.48 © 2022

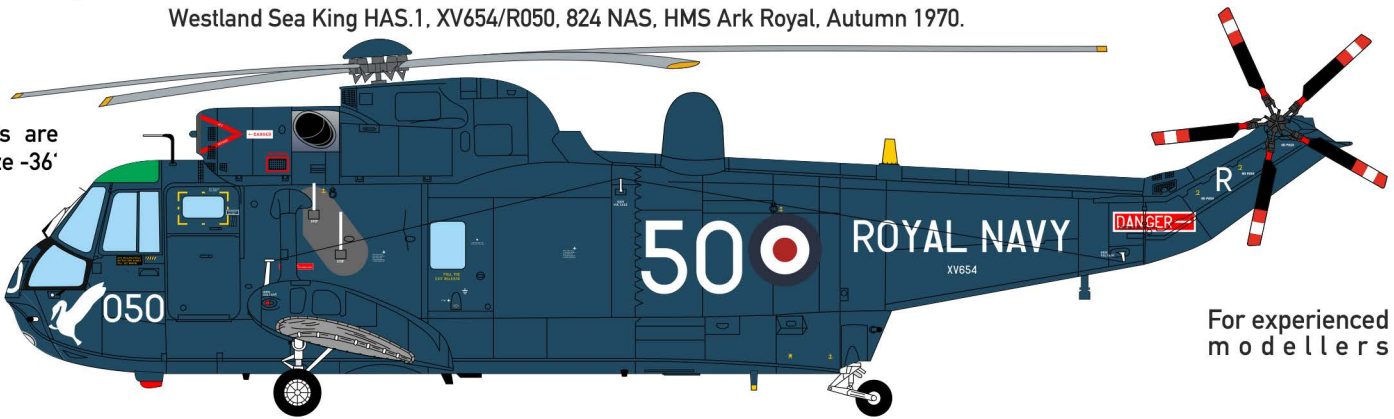
SCALE 1:72

Blackburn Buccaneer S.2C, XV343/R033, 809 NAS, HMS Ark Royal, Autumn 1970.



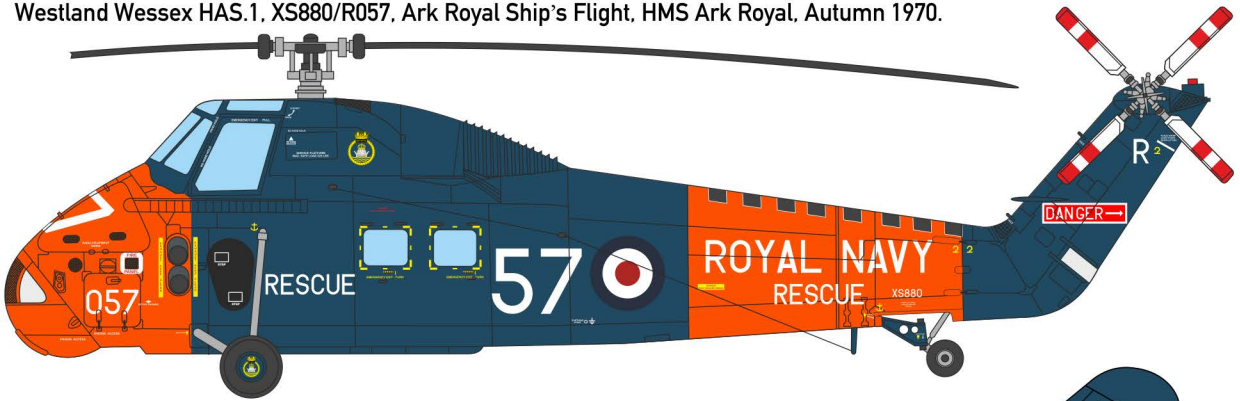
Westland Sea King HAS.1, XV654/R050, 824 NAS, HMS Ark Royal, Autumn 1970.

All Roundels are the same size -36'



For experienced modellers

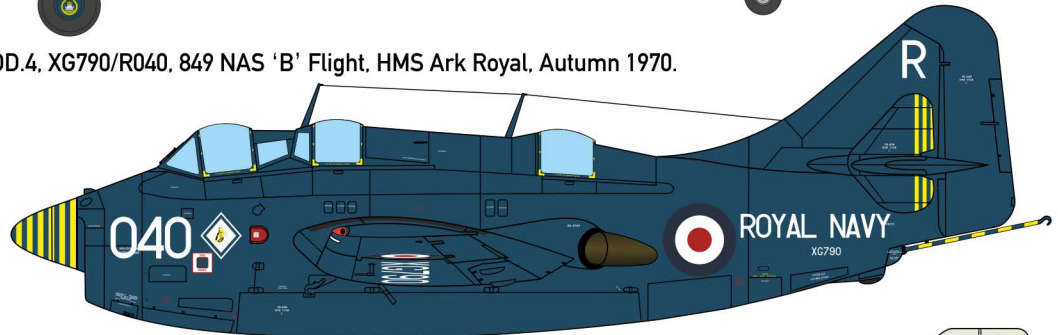
Westland Wessex HAS.1, XS880/R057, Ark Royal Ship's Flight, HMS Ark Royal, Autumn 1970.



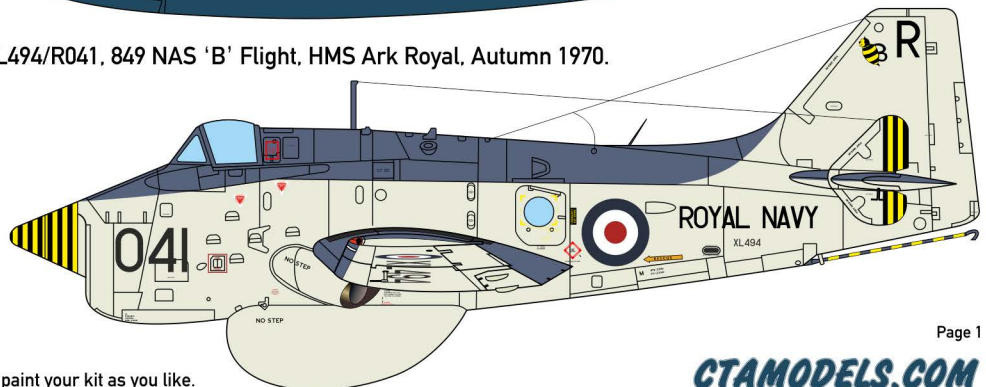
BS 381 Color chart

Fluorescent Day-Glo Blaze	640
White	633
	210

Fairey Gannet COD.4, XG790/R040, 849 NAS 'B' Flight, HMS Ark Royal, Autumn 1970.



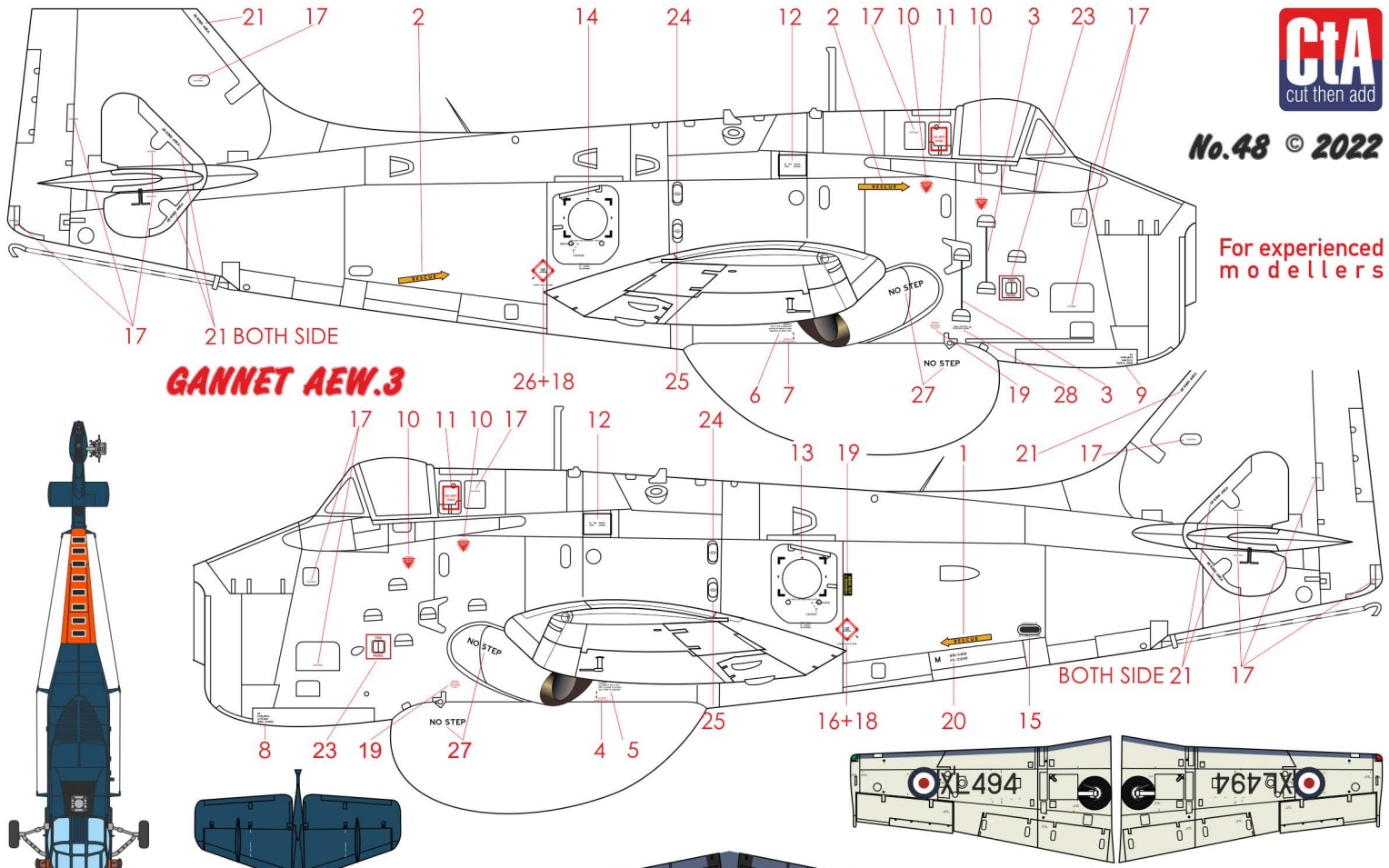
Fairey Gannet AEW.3, XL494/R041, 849 NAS 'B' Flight, HMS Ark Royal, Autumn 1970.



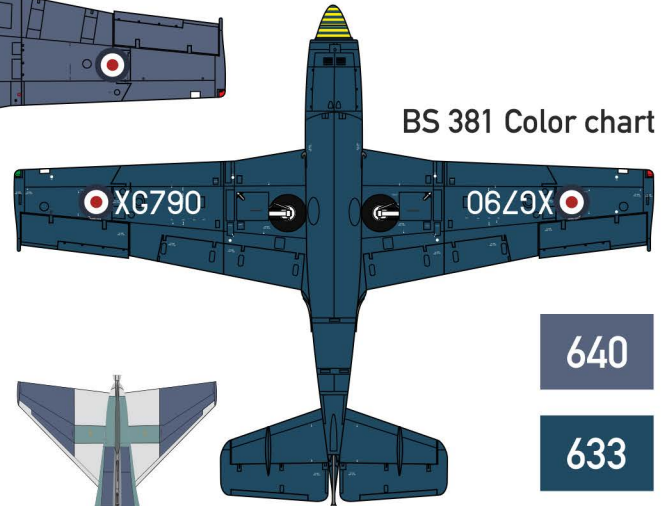
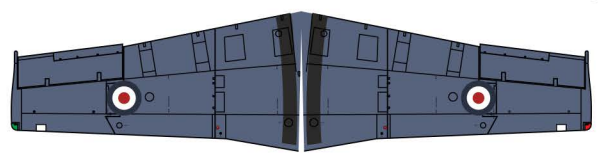
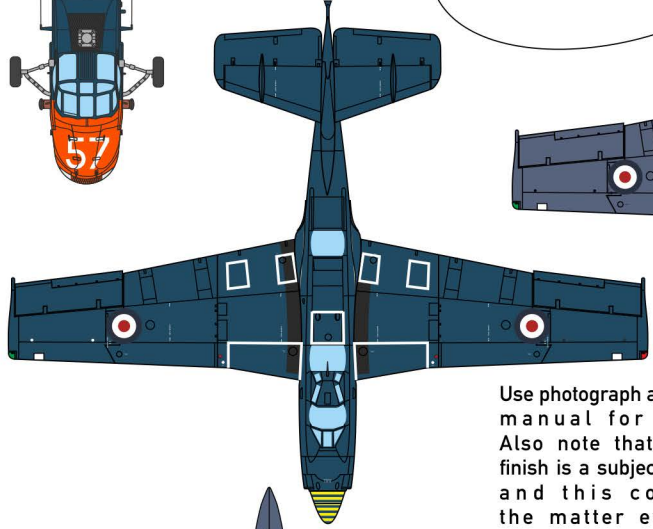
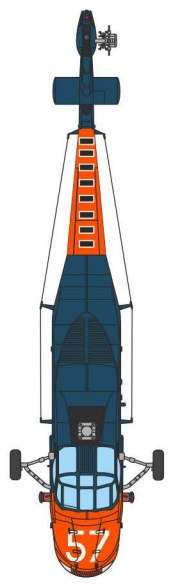
Use photograph and/or your kit's manual for reference. Also note that real aircraft finish is a subject of weathering and this complicated the matter even further. So, take a look at the photos - and paint your kit as you like.

No.48 © 2022 SCALE 1:72

For experienced modellers



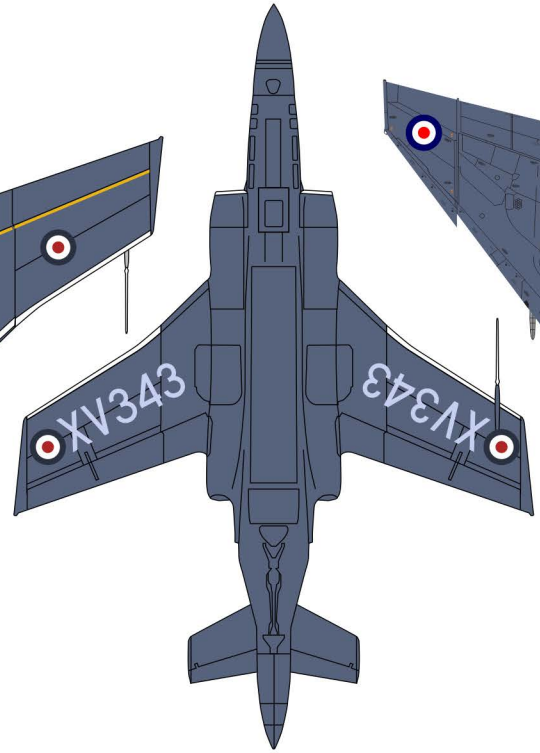
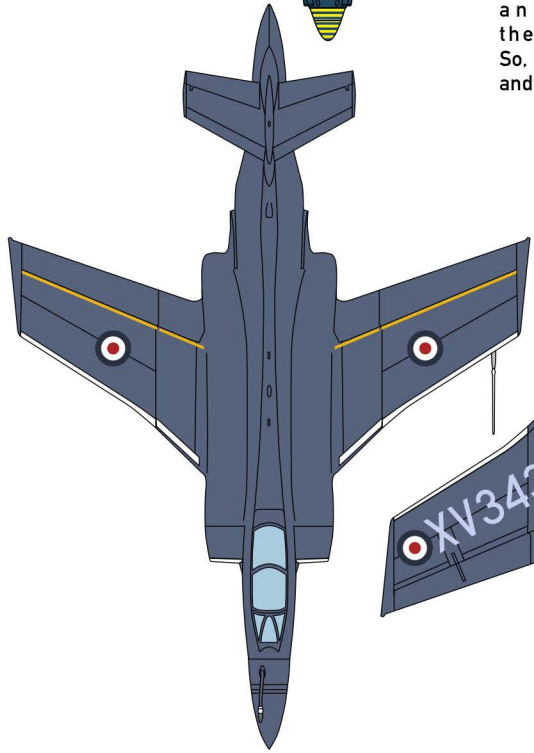
GANNET AEW.3

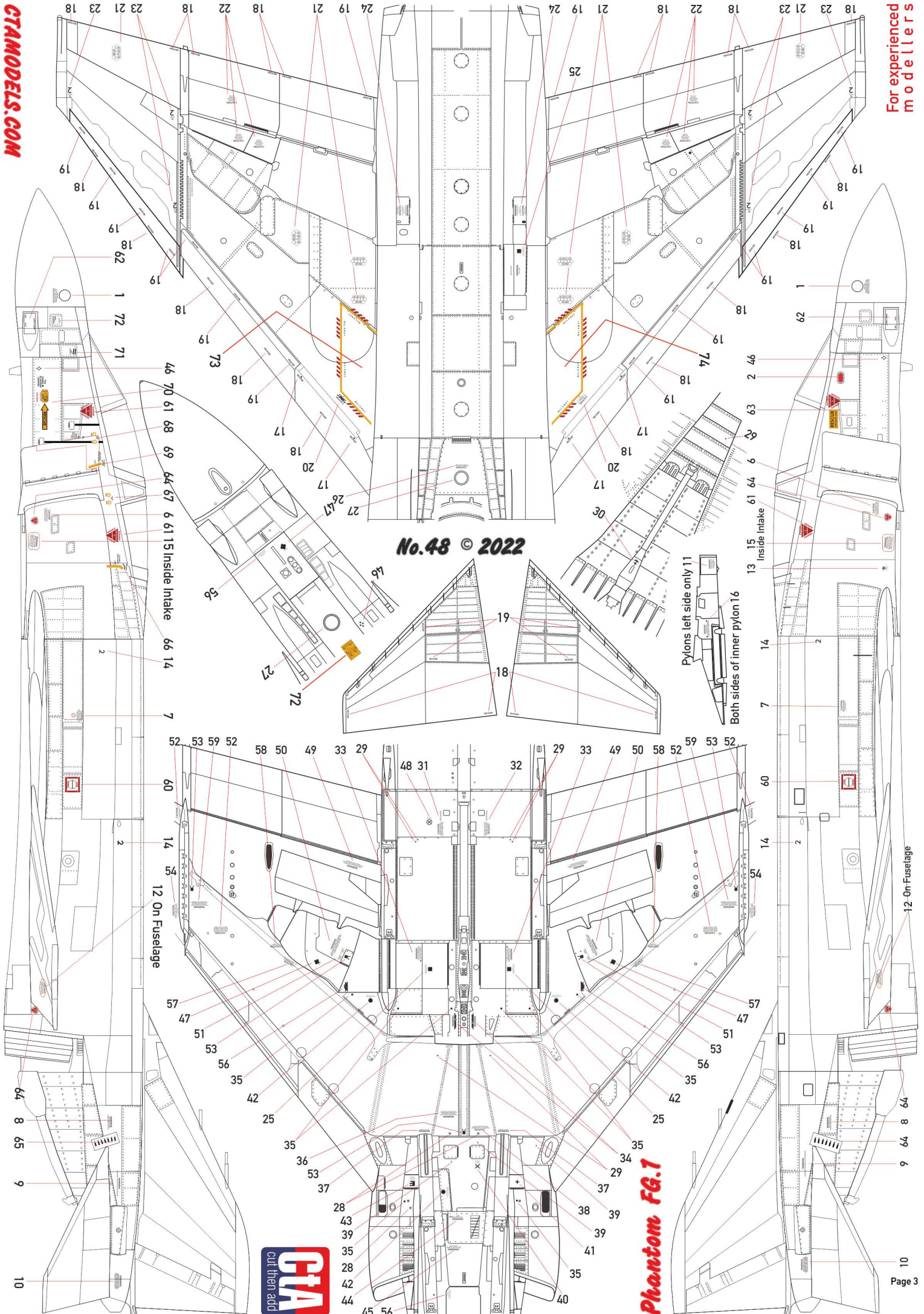


BS 381 Color chart

Use photograph and/or your kit's manual for reference. Also note that real aircraft finish is a subject of weathering and this complicated the matter even further. So, take a look at the photos - and paint your kit as you like.

- 640
- 633
- 210
- Fluorescent Day-Glo Blaze
- White





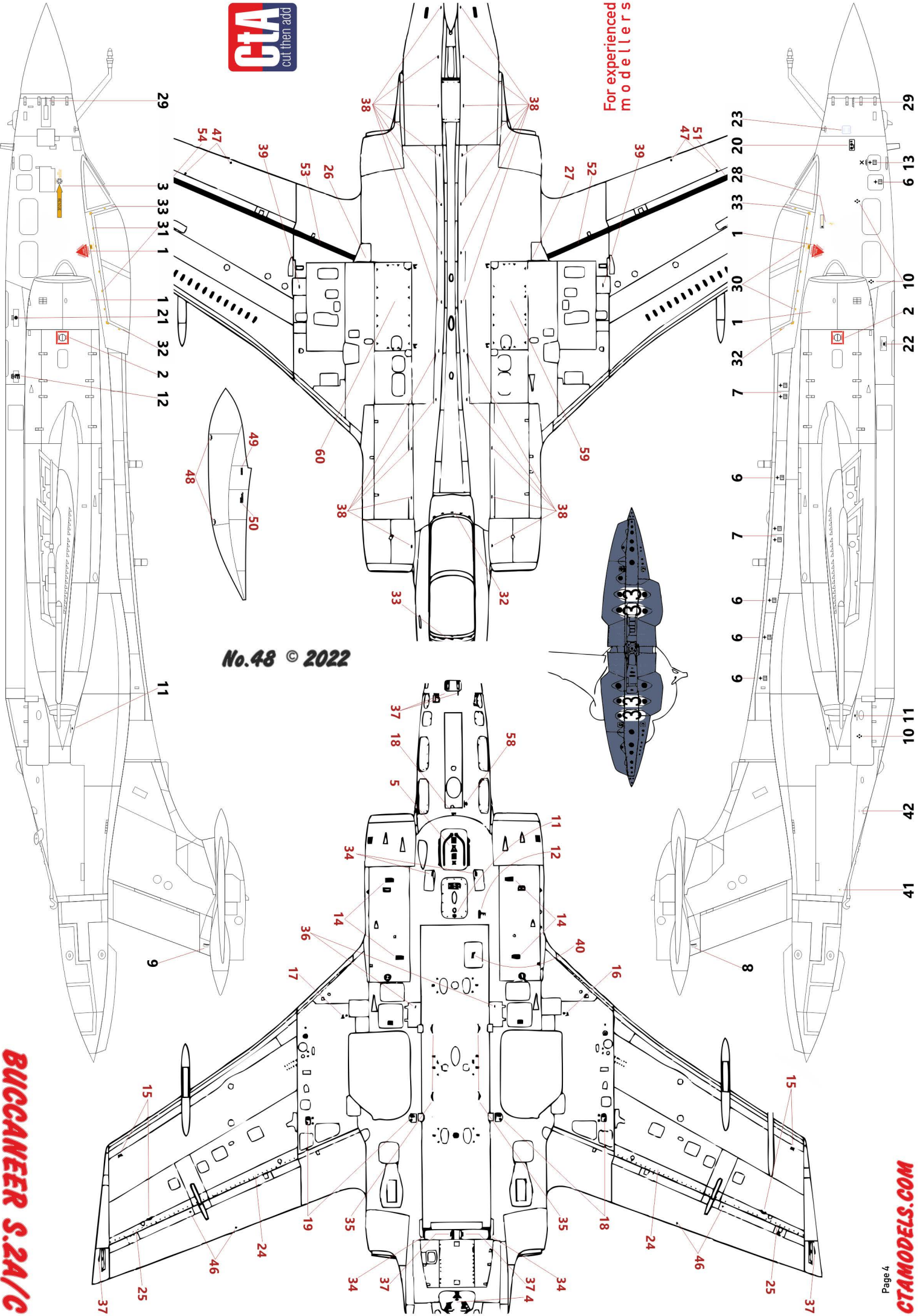
12 On Fuselage

Pylons left side only 11

Both sides of inner pylon 16

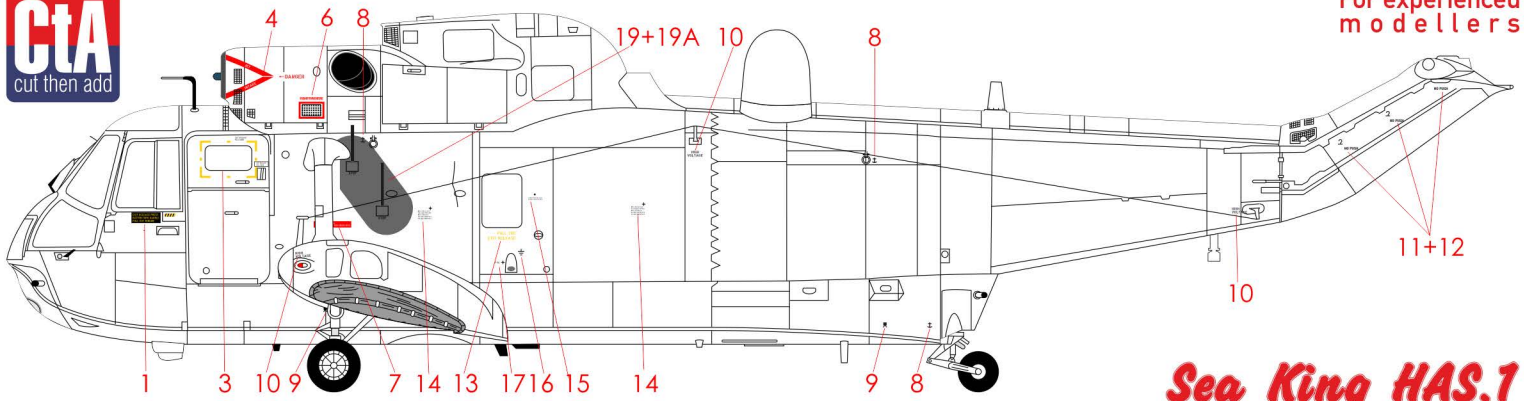
12 On Fuselage

For experienced modelers

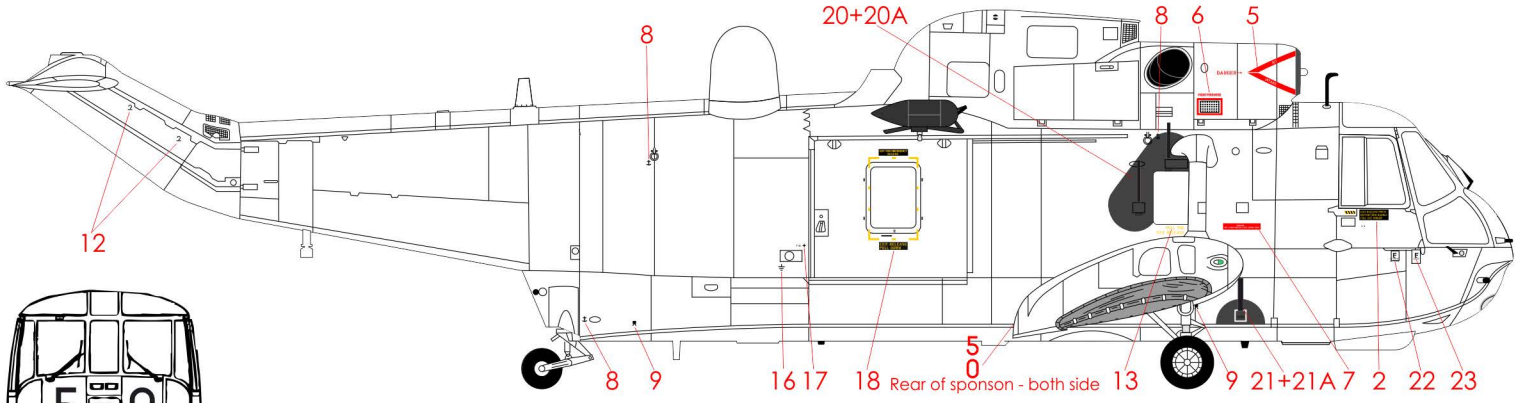


No.48 © 2022

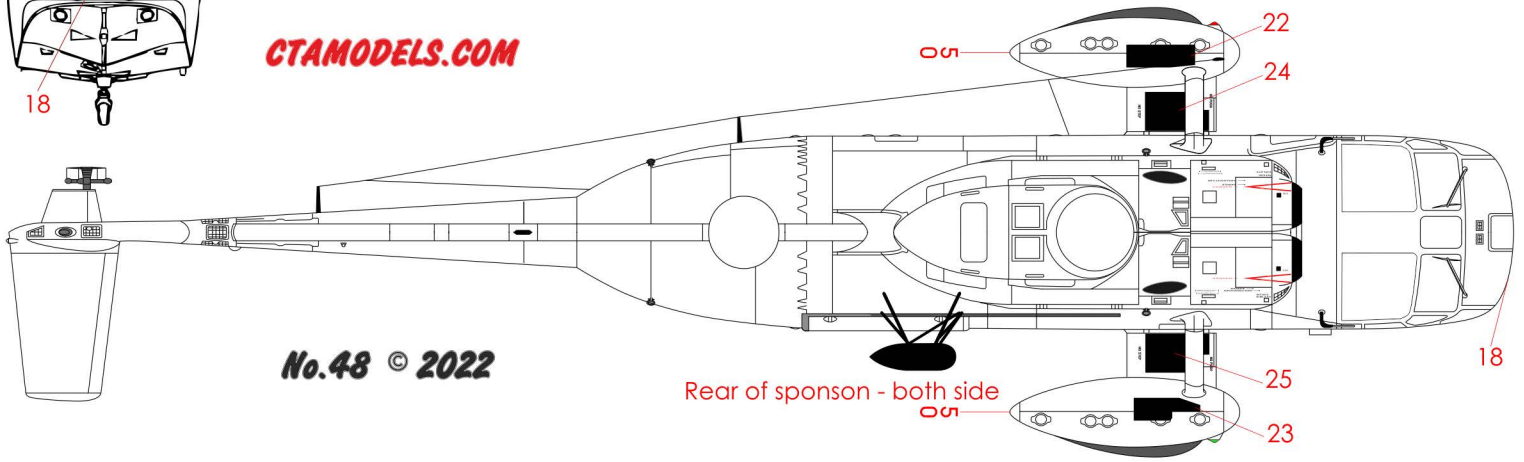
BUCCANEER S.2A/C



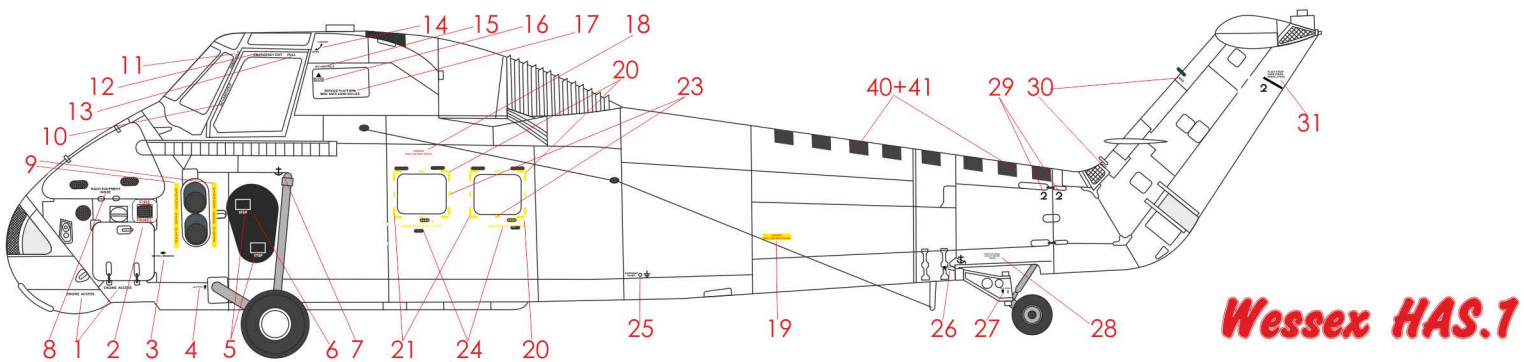
Sea King HAS.1



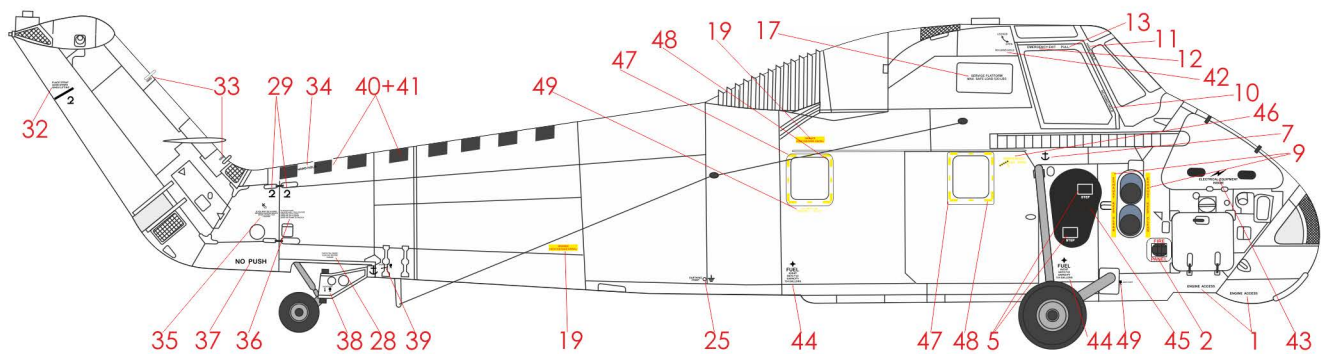
CTAMODELS.COM

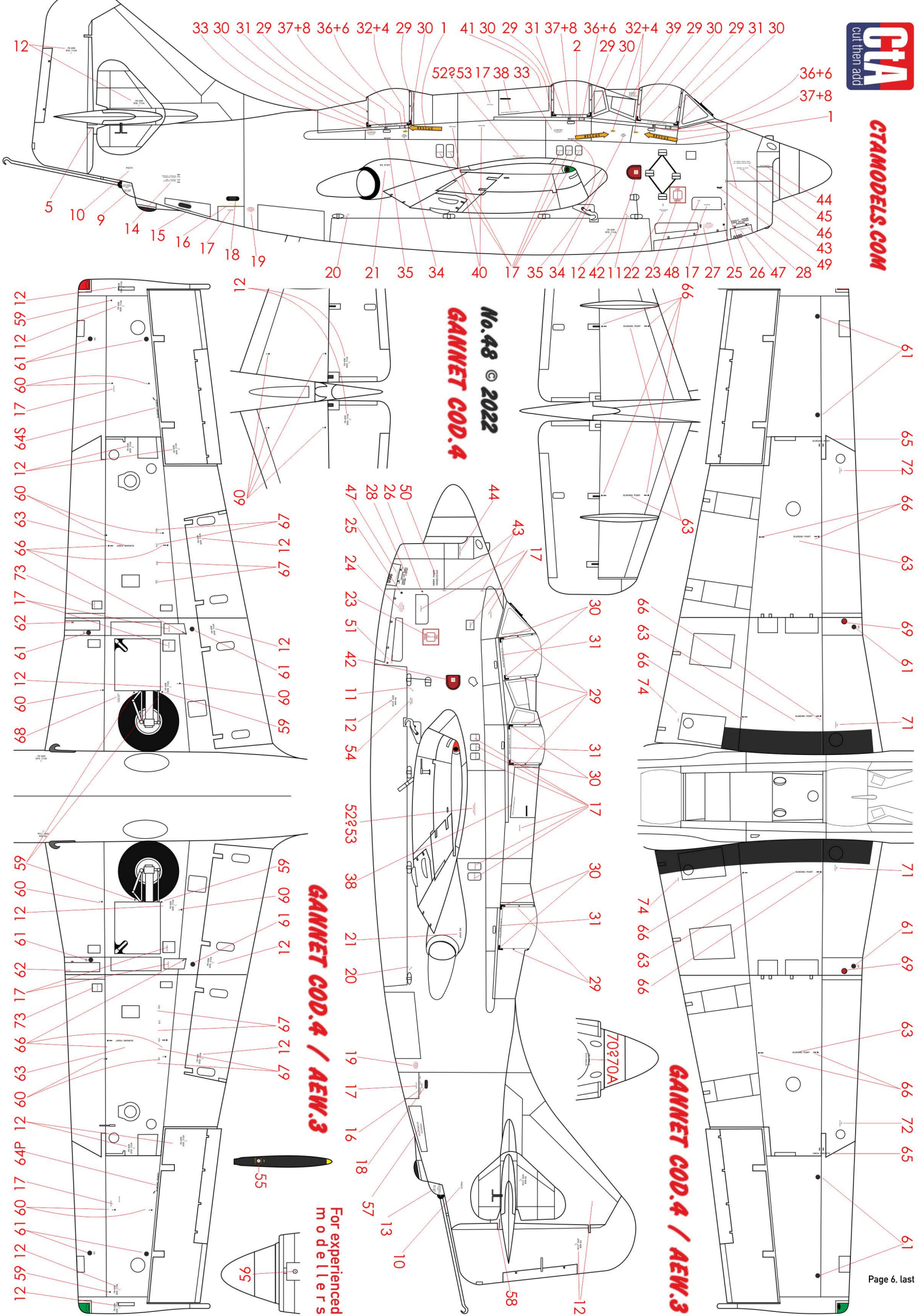


No.48 © 2022



Wessex HAS.1





33 30 31 29 37+8 36+6 32+4 29 30 1 41 30 29 31 37+8 36+6 32+4 39 29 30 29 31 30

52&53 17 38 33

2 29 30

36+6
37+8

No.48 © 2022
GANNET COD.4

GANNET COD.4 / AEW.3

GANNET COD.4 / AEW.3

For experienced
modellers